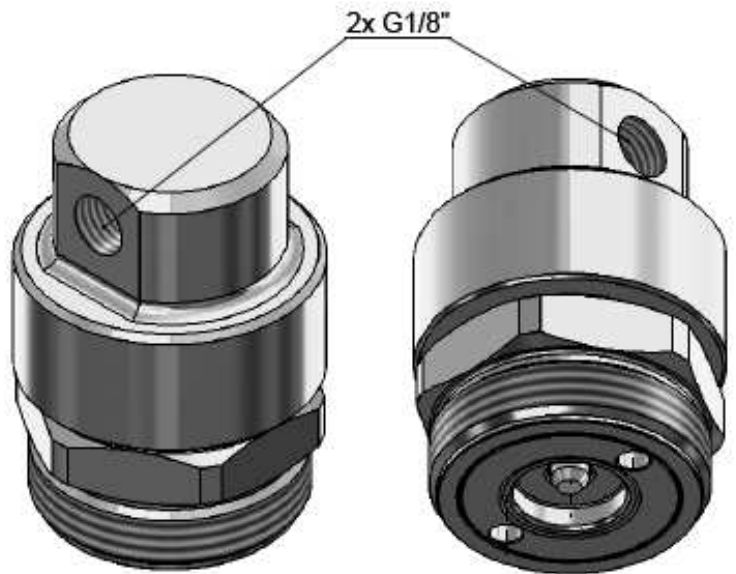
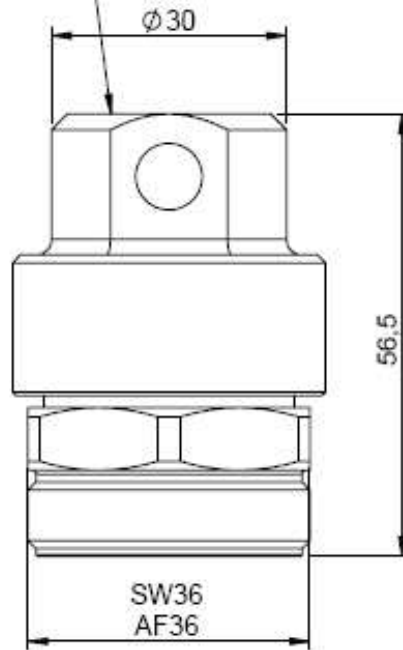
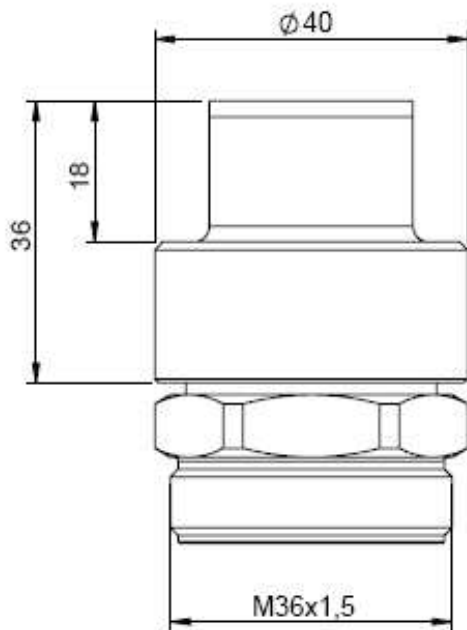


# NEUMATIC ACTUATOR

## AEX-INAN

Mark:  
 Reference: F1120011  
 Date of production: AAAA/MM  
 Sign of production: FiWaRec  
 Minimum actuation pressure: 20Bar for 300Bar cylinders  
 Maximum actuation pressure: 360Bar  
 Torque: 25Nm ±2



Especifications	
Name	Value
Weight	403 g
Body	Brass

Description: Device used to produce the neumatic release of the cylinder.

Sheet code:	Solution sheet:	Reference:	Drawn:	Date:	Revised:	Date:	Revision:	Format:
AEX-FTC-09-002	IG-55	AEX-INAN	DCM	27/08/2015	MRC	27/08/2015	1	A4